

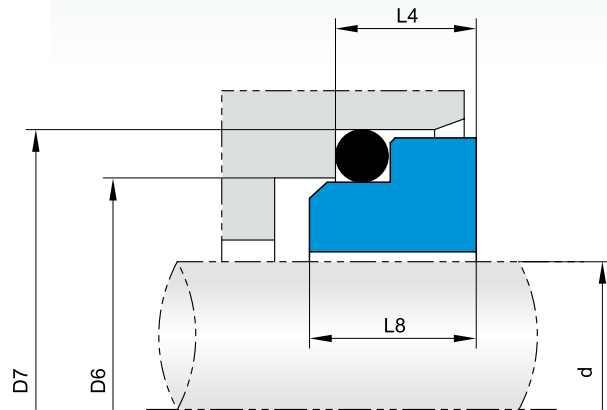
Stationary seat

TS SEALS C15



⊙ O-Ring Stationary seat σύμφωνα με EN12756

⊙ Υλικά κατασκευής V1,Q1,Q2,U1,U2



Size Metric	d	D6	D7	L4	L8
10	10	17	21	8.6	10.0
12	12	19	23	8.6	10.0
14	14	21	25	8.6	10.0
16	16	23	27	8.6	10.0
18	18	27	33	10.0	11.5
20	20	29	35	10.0	11.5
22	22	31	37	10.0	11.5
24	24	33	39	10.0	11.5
25	25	34	40	10.0	11.5
28	28	37	43	10.0	11.5
30	30	39	45	10.0	11.5
32	32	42	48	10.0	11.5
33	33	42	48	10.0	11.5
35	35	44	50	10.0	11.5
38	38	49	56	11.0	12.5
40	40	51	58	11.0	12.5
43	43	54	61	11.0	12.5
45	45	56	63	11.0	12.5
48	48	59	66	11.0	12.5
50	50	62	70	13.0	14.5
53	53	65	73	13.0	14.5
55	55	67	75	13.0	14.5
58	58	70	78	13.0	14.5
60	60	72	80	13.0	14.5
63	63	75	83	13.0	14.5
65	65	77	85	13.0	14.5
68	68	81	90	15.3	16.5
70	70	83	92	15.3	16.5
75	75	88	97	15.3	16.5
80	80	95	105	15.7	17.5
85	85	100	110	15.7	17.5
90	90	105	115	15.7	17.5
95	95	110	120	15.7	17.5
100	100	115	125	15.7	17.5